

# Model 328S Electronic Pressure Switches

## Description:

BCM model 328S Electronic Pressure Switch (EPS) is designed for application in a pressure monitoring system. As this EPS is composed of both a precision pressure sensor, which functions as a pressure measuring element, and an electronic circuitry of high stability to generate switch signal, the model 328S can be used to monitor the process pressure in industrial automation systems and generate a switching signal to switch on or switch off the system at the certain set condition.

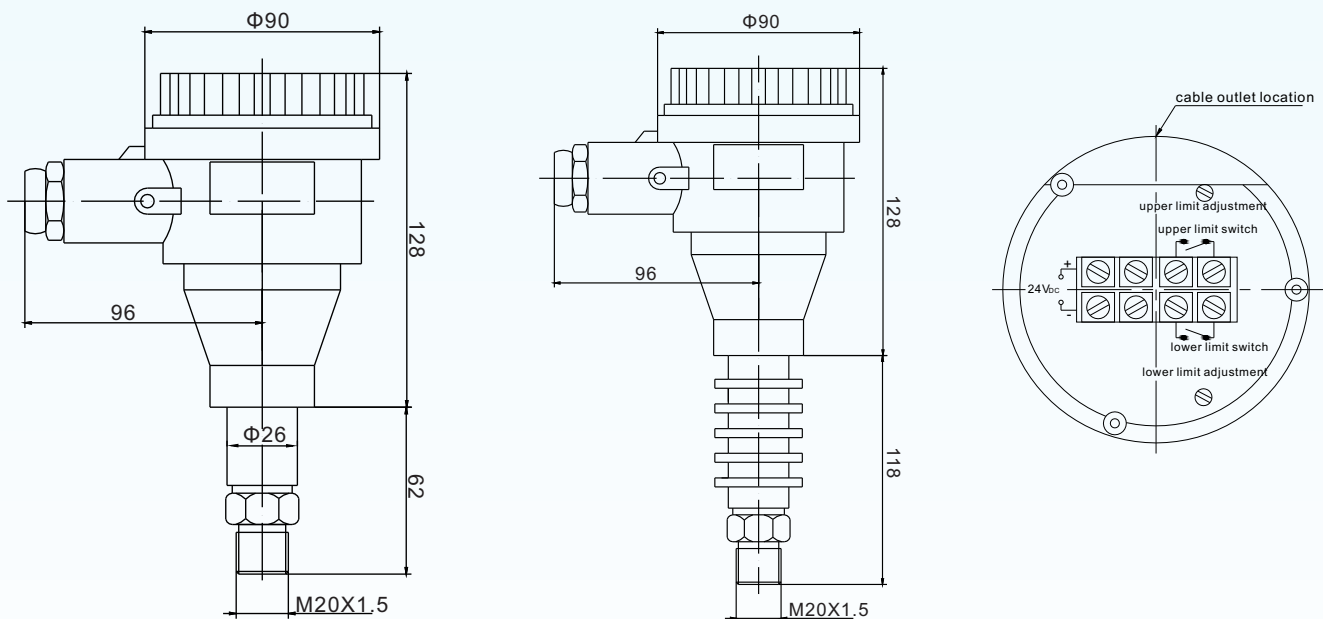
Thank to its rigid construction model 328S EPS possesses a number of advantages such as high accuracy, low hysteresis, high stability and fast response in pressure monitoring, and easy installation and operation. This EPS is widely used to monitor gas and liquid pressures in mechanical and electric power systems. When connected to the middle-position relays, this EPS can also be used for process controls in many industrial systems.

## Features:

- continuous adjustment of set point
- control function
- set point 100% adjustable, no dead band
- high accuracy, fast response
- reliable switching output
- Intrinsic safety or flame proof



## Dimensions:



**BCM SENSOR TECHNOLOGIES BVBA**

# Model 328S

## Electronic Pressure Switches



### Specifications:

parameters	units	specifications
pressure ranges	bar	0 ~ 0.1, ... , 0 ~ 600
pressure type		gauge pressure (G), absolute pressure (A)
output signal	V	relay signal (lower level $\leq$ 0.5, upper level $\geq$ 4.5)
accuracy	%fso	0.25, 0.5 (standard), 1
relay loading		30 Vdc/5A (standard), 120 Vac/3A
long-term stability	%fs/year	$\leq$ 0.5
supply voltage	Vdc	+18 ~ +24
storage temperature range	°C	-40 ~ 120
operating temperature range	°C	-20 ~ +80 (type A, standard), -60 ~ +200 (type B)
material of diaphragm		SS 316L
material of process connection		SS 316, 1Cr18Ni9Ti (standard)
housing material		die cast aluminum with spray painting coated surface
process connection		M20 X 1.5 (standard); other threads available on requests
electrical connection		M20 X1.5
explosive proof		Exia II CT6 (standard), or Exd II CT 6
IP rating		IP67

The listed specifications and dimensions are subject to change without prior notice.

### Application:

The 328S series pressure switches are widely used nowadays to generate enable-and-disable control signals or alarm signal to secure industrial process or pressure application system. These 328S pressure switches can easily find their application in a complete pressure system in many industries, like power plant, petroleum and oil-refinery industries, chemical, food, and metallurgy industries.

**How to order:** model - switching pressure - pressure type - accuracy - relay load - explosive proof  
**ordering code** example: 328S(typs A) - 120bar/115bar - G - 0.25%fso - 120Vac/3A - Exd II CT 6



**BCM SENSOR TECHNOLOGIES BVBA**

ISO9001 Certified Company

Industriepark Zone 4, Brechtsebaan 2  
B-2900 Schoten - Antwerpen, BELGIUM

Tel.: +32-3-238 6469  
Fax: +32-3-238 4171

website: [www.bcmsensor.com](http://www.bcmsensor.com)  
email: [sales@bcmsensor.com](mailto:sales@bcmsensor.com)