

Model 3468(I) Aluminum Shear-beam Load Cells for Industrial Application



Features

- single-ended shear-beam
- capacity: 100, ..., 1000 kg
- accuracy: 0.03 %fs
- aluminum alloy construction with surface anodized
- environment protection grade IP 66



Applications

- tank and hopper scales
- platform scales



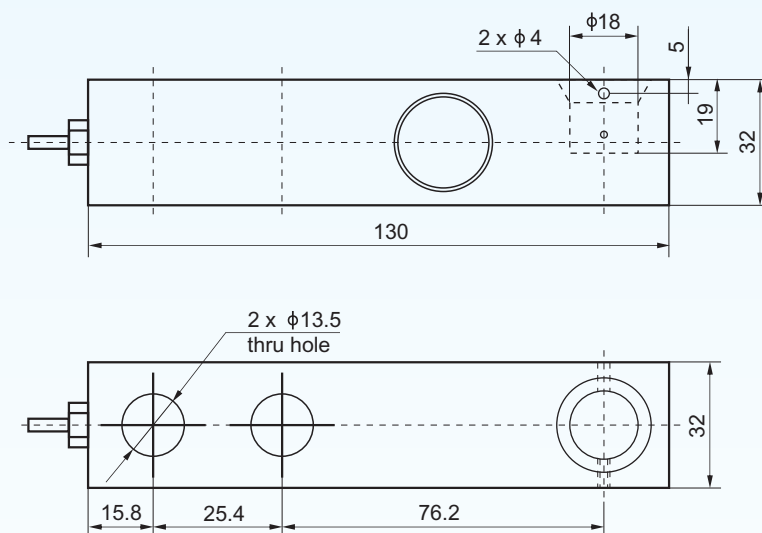
compression nut (included)

Description

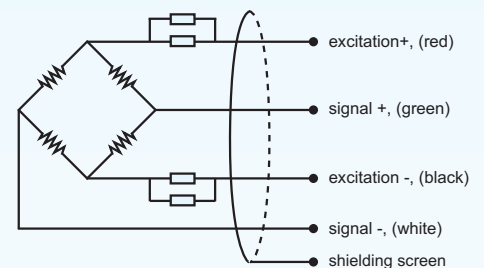
Based on BCM advanced metal foil strain gauge technology, model 3468(I) load cells are made of shear-beam working principle in low profile. These load cells are of good side load resistance and relatively insensitive to the point of loading. The capacities of 3468(I) load cells ranges from 100kg to 1t with an accuracy of 0.03%fs (fs = full scale). Thanks to BCM leading technology in sealing, 3468(I) load cells can be made to a higher protection grade of IP 66. 3468(I) load cells are supplied with one compression nut.

Featuring simple construction and excellent performance, 3468(I) load cells are widely used in applications of platform-scales, hopper-scales weighing systems, or applications need to measure beam bending loads.

Dimensions



Electrical Connection



BCM SENSOR TECHNOLOGIES BVBA

Model 3468(I) Aluminum Shear-beam Load Cells for Industrial Application



Technical Data

parameters	units	specifications
capacity	kg	100, 200, 300, 500, 700, 1000
safe load limit	%fs	150
ultimate overload	%fs	200
output sensitivity at fs	mV/V	2.0 ± 0.02
zero unbalance	%fso	± 1
non-linearity	%fs	± 0.03
hysteresis	%fs	± 0.02
repeatability	%fs	± 0.01
creep error (30 min.)	%fs	± 0.02
excitation (supply voltage)	Vdc	10
max. excitation voltage	Vdc	15
input resistance	Ω	390 ± 10
output resistance	Ω	350 ± 10
insulation resistance	MΩ	≥ 5000@50 Vdc
storage temp. range	°C	-35 ~ +80
operating temp. range	°C	-35 ~ +80
compensated temp. range	°C	-10 ~ +40
temp. coefficient of sensitivity	%fs/°C	± 0.002
temp. coefficient of zero	%fs/°C	± 0.003
load cell body material		aluminum alloy
sealing		potted
mechanical interface		refer to the dimensions on the datasheets
electrical interface		Φ 5.7 mm, 4-conductor shielded PVC cable, 3.5 m
environment protection		IP 66
unit weight	kg	~ 0.6

The listed specifications are subject to change without prior notice.

BCM SENSOR TECHNOLOGIES BVBA

Model 3468(I) Aluminum Shear-beam Load Cells for Industrial Application



Ordering Information

position (pos.) 1: model									
3468(I): made from aluminum alloy									
pos. 2: capacities									
100 kg 1000 kg 200 kg 300 kg 500 kg 700 kg									
pos. 3: output sensitivity									
2 mV/V									
pos. 4: non-linearity or accuracy class									
0.03 %fs									
pos. 5: bridge resistance									
350 Ω (Rin = 390±10 Ω, Rout = 350±10 Ω)									
pos. 6: threads (live end/fixed end)									
1xΦ18 / 2xΦ13.5									
pos. 7: electrical interface									
cable, code = diameter(Φ)/number of conductors/cable jacket/cable length 5.7/4/PVC/3.5 = Φ5.7 mm,4-conductors shielded, PVC, length = 3.5 m									
pos. 8: environment protection									
IP 66									
pos. 9: accessories for installation									
cNut: a compression nut is supplied as default fitting load foot									
pos. 10: customized spec's									
When any customized spec's are required, the customer needs to add "C" as the last parameter in the ordering code, and specifies the wished spec's on his order clearly. The customized spec's needs to be confirmed in advance by BCM's sales representative. Code "C" can be omitted if no customized spec's are required.									
pos.1	pos. 2	pos. 3	pos. 4	pos. 5	pos. 6	pos. 7	pos. 8	pos. 9	pos. 10

*: This value can also be a customized value.

** : NA = not available or not applicable

example: 3468(I)-500kg-2mV/V-0.03%fs-350Ω-1xΦ18/2xΦ13.5-5.7/4/PVC/3.5-cNut-IP66-C



BCM SENSOR TECHNOLOGIES BVBA

ISO9001 Certified Company