

Model 436C Pressure Transmitter with Integrated 4-digits Display



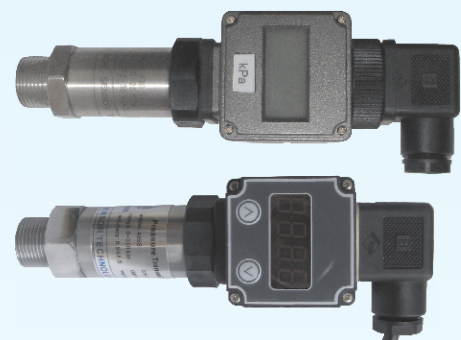
Based on BCM thick film strain gauge on ceramic technology, 436C ceramic pressure transmitters are in mass production for pressure measurements in general industrial applications. Equipped with an integrated 4-digits display, 436C pressure transmitters provide an easy solution for field testing applications, such as leakage testing for tanks.

Model 436C pressure transmitter is available with a variety of options for process connections: inner cavity type with protrude port (type Ia), inner cavity type with flat port (type Ib), internal thread type (type Ic) and flush diaphragm type (type IIa). Type I(a,b,c) process connections are used to measure gases or dilute liquids, while type IIa is specially used to measure paste or fluids with grains. Model 436C is specially suitable to measure corrosive pressure media with its ceramic diaphragm and 316L stainless steel pressure port.

The measuring ranges of model 436C span from 0~350 mbar to 0~300 bar. The output signal is 4~20 mA. The measuring accuracy is 0.5%fs (fs = full scale). Negative gauge pressure measurement is also possible on request. The integrated display provided can be either LCD for display purpose only, or smart LED which allows the user to set parameters such as zero, span, damping time and alarms.

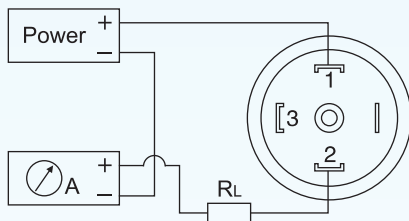
Features:

- pressure ranges: 0~350 mbar, ..., 0~300 bar
- pressure types: absolute (A) and gauge (G)
- output signal: 4~20 mA with integrated 4-digits display
- accuracy: 0.5 %fs
- compensated temperature range: -10 ~ +60 °C
- materials: ceramic (pressure diaphragm); 316L SS (wetted part)
- environment protection:
IP 65 (connector), IP 66 (direct cable)
- display: 4-digits LCD (standard), 4-digits smart LED



Electrical connection:

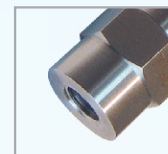
(sketch of an example of 4~20 mA output signal configured to a DIN 43650 connector)



436C (type Ia):
inner cavity
with protrude port



436C (type Ib):
inner cavity
with flat port

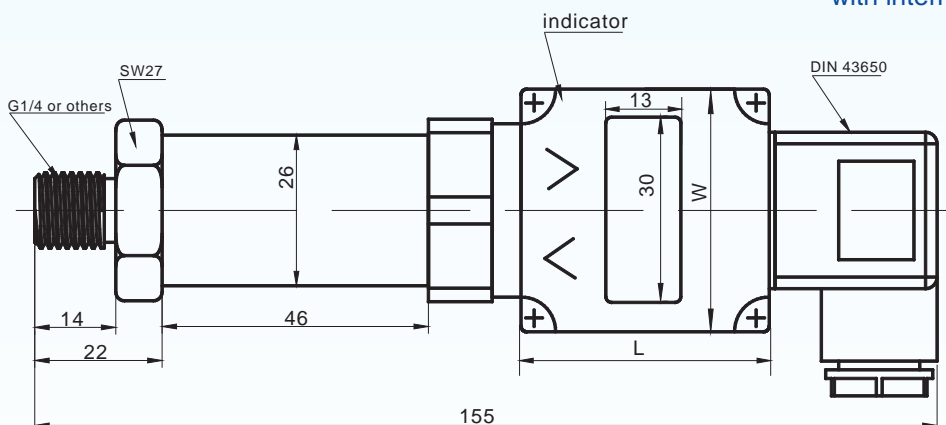


436C (type Ic):
inner cavity
with internal thread



436C (type IIa):
flush diaphragm

Dimensions:



dimensions of the display:

| display | LxWxH* (mm) |
|-----------|--------------|
| smart LED | 42.5x42.5x46 |
| LCD | 45x45x46 |

*: H is the thickness of the display.

BCM SENSOR TECHNOLOGIES BVBA

Model 436C Pressure Transmitter with Integrated 4-digits Display



Technical Data:

| parameters | units | specifications |
|---------------------------------|--------------------|---|
| pressure media | type Ia, Ib, Ic | gases or dilute liquids (compatible with the wetted parts' materials) |
| | type IIa | paste or fluids with grains (compatible with the wetted parts' materials) |
| pressure ranges and types* | bar, gauge (G) | 0~0.5, ~1, ~2, ~3, ~5, ~10, ~20, ~30, ~50, ~100, ~160, ~200, ~300 |
| | bar, absolute (A) | 0~0.35, 0~0.5, 0~1, 0~2, 0~5, 0~10, 0~20 |
| | bar, sealed G (SG) | NA |
| overload pressure | %FS | 150 |
| output signal | | 4~20 mA with integrated 4-digits display |
| accuracy | %FS | ± 0.5 |
| long-term stability of zero | %FS/year | ± 0.3 |
| power supply | Vdc | 12, ..., 30 V (depending on the load resistance) |
| load resistance | Ω | 250, ..., 1100 |
| storage temperature range | °C | -40 ~ +125 |
| operating temperature range | °C | -40 ~ +125 |
| compensated temperature range | °C | -10 ~ +60 |
| temperature coefficient of SPAN | %FS/°C | ± 0.05 |
| temperature coefficient of ZERO | %FS/°C | ± 0.05 |
| response time | ms | <2 |
| process interface | type Ia, Ib, Ic | G1/4 (standard), 1/4 NPT, M14x1.5, others are available on request |
| | type IIa | G1/2 |
| electrical interface | connector/cable | DIN 43650 connector, plug-in connector (standard) |
| | | shielded PVC cable (3m length, 2-wire, 4.7mm) |
| materials | diaphragm | ceramic (Al2O3) |
| | wetted part | 316L SS |
| | housing | 304 SS |
| environment protection | IP rating | IP 65 (DIN 43650 connector, or plug-in connector) , IP 66 (direct cable) |
| integrated display | | 4-digits LCD with zero & span adjustment function. |
| | | 4-digits smart LED with zero & span adjustment, alarm setting functions |
| weight | g | ~180 |

The listed specifications are subject to change without prior notice.

How to order: model-range,type-output-accuracy-process connection-electrical connection
-display type-customized specification (if any)

ordering code: example: 436C(type Ia)-0/10barG-4/20 mA-0.5%fs-G1/4-DIN43650-4digitsLCD



BCM SENSOR TECHNOLOGIES BVBA

ISO9001 Certified Company

Industriepark Zone 4, Brechtsebaan 2
B-2900 Schoten - Antwerpen, BELGIUM

Tel.: +32-3-238 6469
Fax: +32-3-238 4171

website: www.bcmsensor.com
email: sales@bcmsensor.com