

Model 496D

Very Low Differential Pressure Transmitters



Made of BCM piezoresistive silicon sensor dies, model 496D pressure transmitter is designed for differential pressure measurement in low pressure ranges of less than 1 psi, the transmitter is for non-electroconductive and non-corrosive gas or dilute-liquid media, which are connected to the pressure tubes on the transmitter.

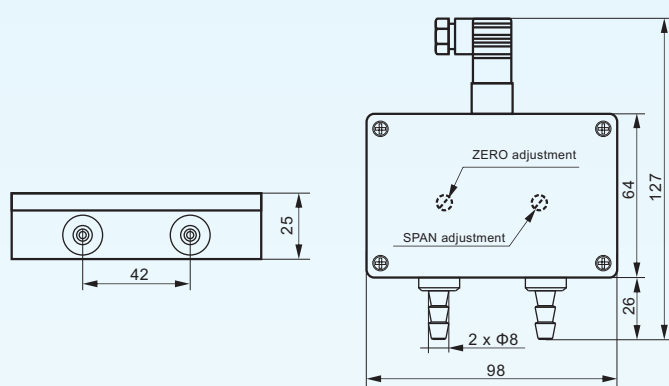
Output signal of 496D is 4~20 mA and the measuring accuracy can reach to 0.5%fso (fso = full scale output), while the media temperatures can be operated from -10 to +85°C and long term stability of 1%fso can be kept on year basis.



Features:

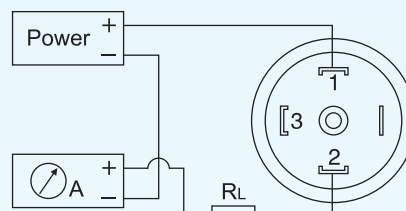
- low pressure ranges: 0~0.15 psi, ..., 0~1 psi
- output signal: 4~20 mA, with DIN 43650 connector
- measuring accuracy: 0.5 %fso, or 1 %fso
- pressure connection: $\Phi 8$ mm tube (copper coated)
- housing protection: IP 65 (Aluminum alloy box)

Dimensions:



Electrical connection:

(example of DIN 43650 connector for 4~20 mA output signal)



Specifications:

parameters	units	specifications
pressure media		non-electroconductive and non-corrosive gas
pressure range & type	psi/D	0~0.15; 0~0.29; 0~0.73; 0~1
overload pressure	% fs	300
system pressure	bar	< 3
output signal	mA	4~20
combined error	%fso	0.5, 1 (standard)
zero & span offset	mA	± 0.1
insulation resistance	M Ω	> 500 @ 100 Vdc
power supply	Vdc	12~36
load resistance	Ω	250~1150
temperature coefficient of ZERO	% fso/10°C	2
temperature coefficient of SPAN	% fso/10°C	1
long-term stability	% fso/year	1
fatigue life	circle	10^6
compensated temperature range	°C	0 ~ +70
media temperature range	°C	-10 ~ +85
storage temperature range	°C	-40 ~ +125
humidity limits	%RH	0~80
protection class	IP rating	IP 65 (DIN 43650 connector, aluminum alloy box)
process connection	tubes	$\Phi 8$ mm tube (1Cr18Ni9Ti), copper is coated
electrical connection	connector/cable	DIN 43650 connector (standard), plug-in connector, cable

The listed specifications are subject to change without prior notice.

How to order:

Model - range - output - accuracy - process connection - electric connection - custom specific requests
Ordering code example: 496D - 0/1psi - 4/20 mA - 1%fso - $\Phi 8$ tube - DIN 43650 - no specific requests



BCM SENSOR TECHNOLOGIES BVBA

ISO9001 Certified Company

Industriepark Zone 4, Brechtsebaan 2
 B-2900 Schoten - Antwerpen, BELGIUM

Tel.: +32-3-238 6469
 Fax: +32-3-238 4171

website: www.bcmsensor.com
 email: sales@bcmsensor.com