

EPS200-series Electronic Pressure Switches with Display



Features

- pressure range from 0~0.1 bar to 0~600 bar
- control signal up to 4 relays
- high accuracy, low drift, prompt response
- programmable zero, span and set points
- CPU based, 16-bit A/D converter, sampling rate 4/s
- 4-digit LED display, digit height 20 mm

Applications

- pressure monitoring and controlling systems



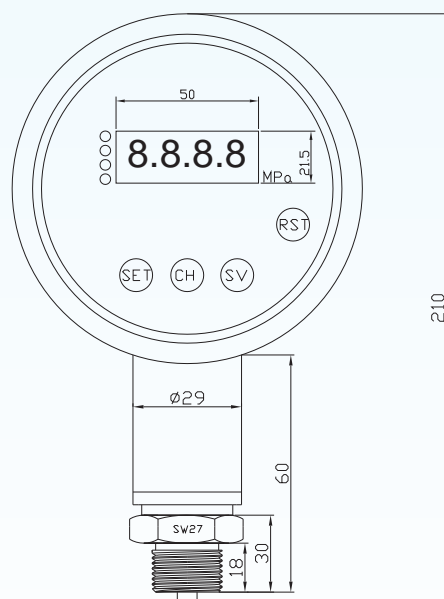
EPS202

Description

EPS200-series electronic pressure switches are designed for applications in pressure monitoring and controlling systems. These products are integrated with high precision pressure transducer, and the output of the transducer is converted into digital signal via a 16-bit A/D converter and processed by a microprocessor. Featuring high accuracy, low drift and prompt response, EPS200-series switches can be used to monitor the process pressure in industrial automation systems and generate switching signal to switch on or switch off the system at the set points.

Model EPS202 can provide single, dual, or up to four relay signals for controlling purpose. On request, these products can also be supplied with an additional 4~20 mA output. The display and output can be set/adjusted via the front panel buttons.

Dimensions: (EPS202)



BCM SENSOR TECHNOLOGIES BVBA

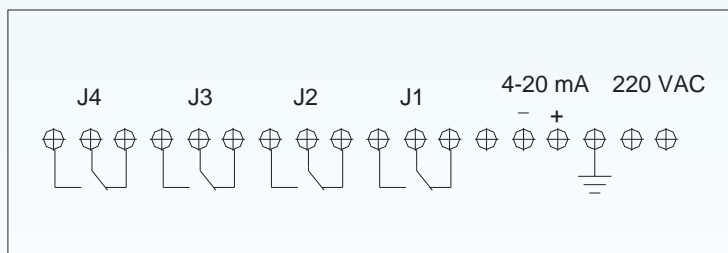
EPS200-series Electronic Pressure Switches with Display

Technical Data

| parameters | units | specifications |
|--------------------------------|----------|--|
| pressure medium | | liquids or gases compatible with 316L |
| pressure ranges | barG | 0~0.1, ..., 0~600 (refer to ordering information for available ranges) |
| overload pressure | %fs | 200 (150 for range 0~600 bar) |
| output signal | | up to 4 relay signals (AC 220V/3A, DC 30V/3A) |
| | | option: additional 4~20 mA |
| accuracy | %fs | ± 0.25, ± 0.5 |
| long term stability | %fs/year | ± 0.2 |
| power supply | | 220Vac, 50±1 Hz, 24Vdc |
| max. power consumption | W | ≤5 |
| life time | cycles | >100,000 |
| relative humidity | %RH | <80 |
| storage temperature range | °C | -20 ~ +125 |
| working temperature range | °C | -20 ~ +80 |
| compensated temperature range | °C | 0 ~ 70, 0~50 (for range ≤0~0.1 bar) |
| material of pressure diaphragm | | 316L SS |
| mechanical interface | | M20x1.5 (standard), other types of interface is available on request |
| electrical interface | | electrical terminals on the back panel |
| display | | 4-digit LED display, digit height = 20 mm |
| environment protection | | IP 66 |
| unit weight | kg | ~ 0.85 |

The listed specifications and dimensions are subject to change without prior notice.

Electrical Connections: electrical terminals



EPS200-series Electronic Pressure Switches with Display



Ordering Information

| | | | | | | | |
|--|--------|--------------|--------|------------------------------------|--------|------------|--------|
| position (pos.) 1: model | | | | | | | |
| EPS202 | | | | | | | |
| pos. 2: ranges and types | | | | | | | |
| 0~0.1 bar, G | | 0~1 bar, G | | 10 bar, G | | 100 bar, G | |
| 0~0.16 bar, G | | 0~1.6 bar, G | | 16 bar, G | | 160 bar, G | |
| 0~0.25 bar, G | | 0~2.5 bar, G | | 25 bar, G | | 250 bar, G | |
| 0~0.4 bar, G | | 0~4 bar, G | | 40 bar, G | | 400 bar, G | |
| 0~0.6 bar, G | | 0~6 bar, G | | 60 bar, G | | 600 bar, G | |
| G: gauge pressure | | | | | | | |
| pos. 3: output signal | | | | | | | |
| 1relay: single relay output | | | | additional analog output (option): | | | |
| 2relay: dual relay outputs | | | | 4~20 mA | | | |
| 3relay: 3 relay outputs | | | | | | | |
| 4relay: 4 relay outputs | | | | | | | |
| pos. 4: accuracy | | | | | | | |
| 0.25%fs | | | | | | | |
| 0.5 %fs | | | | | | | |
| pos. 5: supply power | | | | | | | |
| 220 Vac, 50±1 Hz | | | | | | | |
| 24 Vdc | | | | | | | |
| pos. 6: mechanical interface | | | | | | | |
| M20x1.5 (standard) | | | | | | | |
| others available on request and to be confirmed in case of case | | | | | | | |
| pos. 7: electrical interface | | | | | | | |
| Electrical terminals on the back panel. | | | | | | | |
| Pos.7 can be omitted from the ordering code. | | | | | | | |
| pos. 8: customized spec's | | | | | | | |
| When any customized spec's are required, the customer needs to add "C" as the last parameter in the ordering code, and specifies the wished spec's on his order clearly. | | | | | | | |
| The customized spec's needs to be confirmed in advance by BCM's sales representative. | | | | | | | |
| Code "C" can be omitted if no customized spec's are required. | | | | | | | |
| pos.1 | pos. 2 | pos. 3 | pos. 4 | pos. 5 | pos. 6 | pos. 7 | pos. 8 |

example: EPS202-16barG-4Relay+4/20mA-0.5%fs-24Vdc-M20x1.5-C



BCM SENSOR TECHNOLOGIES BVBA

ISO9001 Certified Company