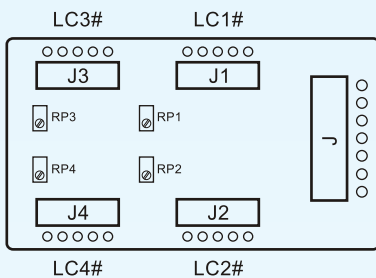


Model JB04 Load cell Junction Boxes

Features:

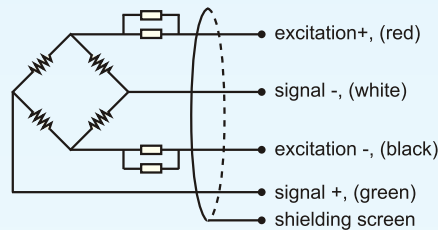
- 2~4 load cells input;
- Stainless steel to be selected, special sealing method, durable and reliable;
- Adopting high precision and low shift resistor and adjustable resistor to confirm the high accuracy and stability of system;
- Special Separating tie-in for load cell cable and signal cable to ensure the connecting reliability;
- Easy for assembling and adjustment with the marks in the box;
- adjustable power supply and output signal are available on the requests.

Electric connection:



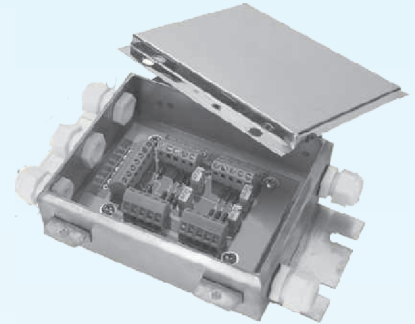
RP1: corresponding adjustment to load cells 1#
 RP2: corresponding adjustment to load cells 2#
 RP3: corresponding adjustment to load cells 3#
 RP4: corresponding adjustment to load cells 4#

J1(to LC1#), J2(to LC2#), J3(to LC3#) and J4(to LC4#):



J(to indicator & power supply):

- exc - : connect to power supply -
- sen - : sensing element -, optional connection
- sig - : connect to indicator input signal -
- shie : connect to ground or shielded equipment
- sig + : connect to indicator input signal +
- sen + : sensing element +, optional connection
- exc + : connect to power supply +



Note: For the identification of each cable color, please refer to the specification of the connected load cells.

Dimensions:

