

All stainless steel pressure gauges with Bourdon tube

Nominal sizes ND 40, 50, 63

Connection position bottom, radial
or back, central



Description

The all stainless steel pressure gauges are ideal for the hard conditions and the resulting high demands on pressure measurement in production facilities in chemical industry and other comparable branches. Resistance to aggressive media and environments is achieved by using high-grade materials such as stainless steel both for the measuring system and the case.

The gauges can be supplied with a rear mounting flange, or front mounting flange as required for the installation conditions.

Features

- o Highly corrosion resistant measuring system
- o Resistant to chemicals
- o Rugged construction
- o Various installation possibilities

Measuring ranges

0 ... 1 bar to 0 ... 1000 bar

Applications

Chemical and petrochemical industry,
Plastics and paper industry,
Food and beverage industry;
Machine and apparatus construction

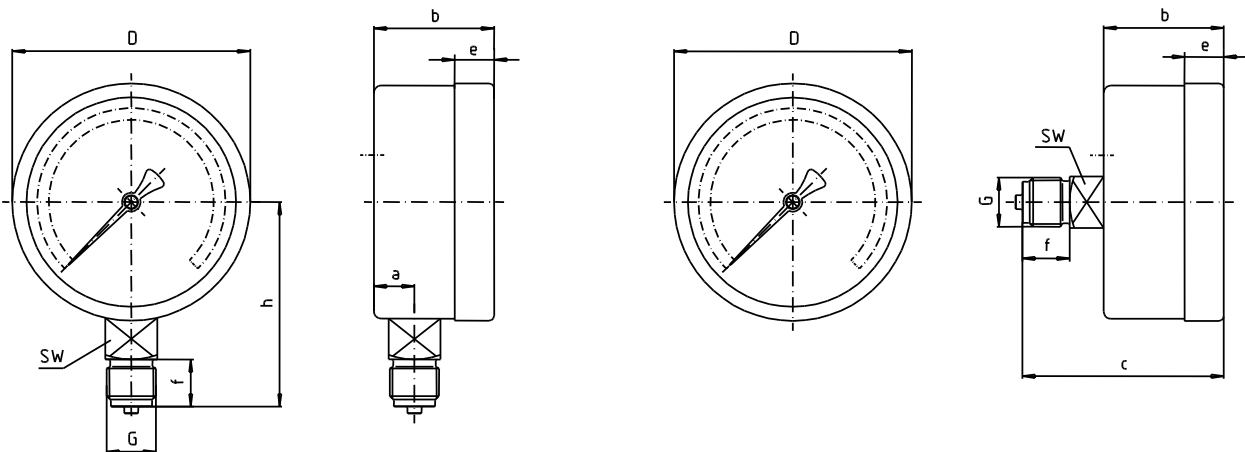
Models: P2010, P2011, P2020,
P2021, P2030, P2031

Technical data

Models	P2010	P2011	P2020	P2021	P2030	P2031 ¹⁾	Options
Nominal size	40		50		63		
Symbol							
Accuracy class	2.5 to EN 837-1			2.5 to EN 837-1			1.6 only Model P2030, P2031
Anzeigebereich	0 ... 1.6 bar to 0 ... 600 bar		0 ... 1.0 bar to 0 ... 600 bar		0 ... 1.0 bar to 0 ... 1000 bar		
Application	Constant load: 3/4 x full scale value Alternating load: 2/3 x full scale value short-time: full scale value						
Case	Stainless steel 1.4301						Stainless steel, polished
Bezel	Stainless steel 1.4301			none			all models stainless steel polished 1) Front flange
Window	Plasticglass (PC)						Safety glass, glass lens
Dial	Aluminium, white, scale and imprint black						
Pointer	Aluminium, black						Max. indicating pointer
Movement	Stainless steel						
Measuring element	Stainless steel 316 L Bourdon tube up to 60 bar, helical tube above 100 bar						
Pressure connection - position - thread	radial bottom	back central	radial bottom	back central	radial bottom	back central	Other threads on request
Temperatures - Medium - Ambient	Tmin. -20°C, Tmax. 100°C Tmin. -25°C, Tmax. 60°C						Attention: Model P2030 / P2031 Medium: Tmin. -20°C, Tmax. +200°C Ambient: Tmin. -40°C, Tmax. +60°C
Temperature drift	0.4%/10K if deviation from normal temperature 20°C						
Protection	IP 43 EN 60 529 / IEC 529						
Orifice							∅ 0.4; ∅ 0.8
Weight approx.	0.060 kg	0.075 kg	0.070 kg	0.082 kg	0.084 kg	0.110 kg	

¹⁾ Only in conjunction with metal casing and bezel

Dimensions



Model: P2010, P2020, P2030

Model: P2011, P2021, P2031

Models	Maße in mm									
	ND	a ± 0,5	b ± 1	c ± 1	D ± 1	e ± 0,5	f ± 0,5	G	h ± 1	SW
P2010	40	9	25	--	40	9	13	G 1/4 B	39	14
P2011	40	--	27	52.5	40	9	13	G 1/4 B	--	14
P2020	50	9.6	27	--	49	--	13	G 1/4 B	47	14
P2021	50	--	27	53.5	49	--	13	G 1/4 B	--	14
P2030	63	10	28	--	62	--	13	G 1/4 B	54	14
P2031	63	--	28	53.5	62	--	13	G 1/4 B	--	14

Modifications reserved