

Mechanical pressure switch S4150

Versatile and economical changeover switch



Description

Mechanical pressure switch with a diaphragm or a piston sensing element and one change over contact for converting pressures into an electrical switching signal.

An adjusting screw allows setpoints to be easily adjusted, even in situ. The setpoint may optionally be factory preadjusted.

The switch with diaphragm is suitable for media such as compressed air, non-aggressive liquids or self-lubricating fluids. The standard piston version can be used for self-lubricating fluids, other media on request. It is available as standard with a 1/4" thread zinc plated steel process connection. Many other threads and materials, including brass and stainless steel are optionally available. The switch can be installed in any desired mounting position.

The proven styling with flat connectors is designed especially for use within equipment. A flexible protective cap can be ordered as an accessory. The cable outlet version is the ideal choice for variable installation.

Features

- Change-over contact
- Many thread variants
- Diaphragm versions up to 16 bar
- Piston versions up to 320 bar
- RoHS-conform

Applications

- Mechanical engineering
- Plant construction
- Filter monitoring
- Hydraulic
- Pneumatic

Adjustment ranges (bar) ³⁾	Overload limit (bar)	repeatability (bar) ¹⁾	Max. hysteresis (% FS)	Measurement principal	Switching function
					Change over contact
0,2..2	60	± 0,04	≤10%	Diaphragm	S4150B071001
0,5..8		± 0,16			S4150B144001
1..16		± 0,32			S4150B076001
10..30	350 ²⁾	± 0,6	min. 7 bar max. 15%	Piston	S4150B133001
10..80		± 1,6			S4150B153001
10..120		± 2,4			S4150B866001
10.. 160		± 3,2			S4150B082001
20..200		± 4,0			S4150B083001
20..250		± 5,0			S4150B084001
30..320		± 6,4			S4150B085001

1) The repeatability refers to 20°C.

2) Higher pressure on request

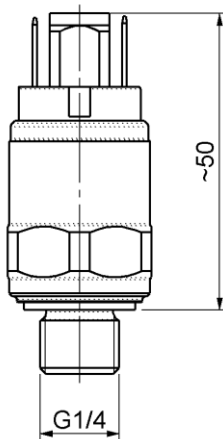
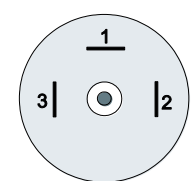
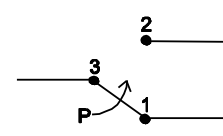
3) Other ranges on request

Model: S4150

Technical data

	Mechanical pressure switch	
Model	S4150	
Execution	positive gauge pressure	
Media	compressed air, neutral fluid, self-lubricating fluid	
Process connection standard optional	G1/4 G1/8, M10x1, NPT1/8, NPT1/4	
Measuring principle	spring loaded diaphragm ≤16 bar, piston >16 bar	
Materials Measuring element standard optional Thread standard optional Housing standard optional	Diaphragm type NBR others on request zinc plated steel stainless steel 1.4305, brass, others on request zinc plated steel, contact insert plastic others on request	Piston type Steel, static: NBR, dynamic: PTFE others on request
Switching outputs Number Switching function Switching element standard Adjustment standard option	1 SPDT microswitch silver plated contacts in site, with adjustment screw factory adjusted	
Power rating¹⁾ DC up to 28 V AC up to 50 V	2A 4A	
Load cycles	max. 100/min	
Temperature ranges	-20°C..+80°C	
Electrical connection standard optional	Spade terminals 3 x 6,3 x 0,8 Cabel outlet	
Protection type Spade terminals Cabel outlet	IP00 IP67	
Mounting position	any	
Weight	~ 0,1 kg	

¹⁾ All specification for ohmic load. For voltages > 42V regulation for protective means have to be regarded!

Dimensions (in mm)	Electrical connection
	<p>SPDT</p>  

Subject to technical alternations