

Hydraulic Comparison Calibration Pumps

for the comparison calibration of pressure gauges, transmitters, switches...

- **Type BT 400:** up to 400 bar / 5800 psi
- **Type BT 400+:** up to 600 bar / 8700 psi
- **Type BT 800:** up to 800 bar / 11600 psi

Features:

- Structure in 2 mm thick metal sheets designet to simplify carrying
- To be fitted onto a work bench by means of 4 adjustable feet or attached to a surface by means of holes on the base
- High pressure unit made in one piece with a brass rod
- Bronze trapezoidal screws and nut screws with st.st. bearing
- Triple-stroke hand-wheel tilted towards operator
- Sockets for 1/2" BSP manometers with rotating screw nut
- St.st. build-in reservoir with hand-wheel operated head valve
- Hydraulic liquid used: distilled water or oil



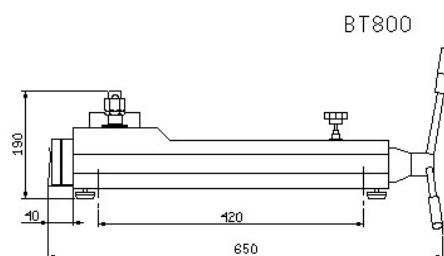
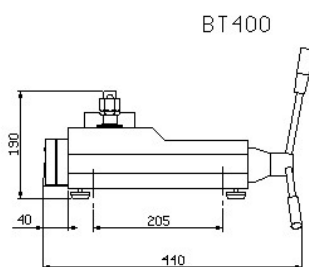
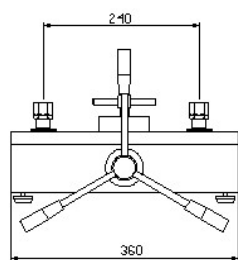
Special Executions:

- **Type BT400-OX:** Suitable for OXYGEN pressure gauges, 400 bar / 5800 psi (to be operated with water)
- **Type BT400-V:** Special VITON gaskets suitable for chemical agents (e.g. break fluid)
- **Type BT400-DM:** With integrated digital pressure gauge 0-500 bar / 0-7250 psi, Accuracy $\pm 0.05\%$ FS and with integrated fine volume adjuster for high sensitivity (0.01 bar at 400 bar) At this model, both ports are available for units under test
- **Type BT800-OX:** Suitable for OXYGEN pressure gauges, 800 bar/11600 psi (to be operated with water)

Option:

- BT-FA: Fine volume adjuster for high sensitivity (0.01 bar at 400 bar / 5800 psi)

Dimensions:



Technical Data:

	BT400 BT400-OX BT400-V BT400-DM	BT400+	BT800 BT800-OX
Range of Use:	0 - 400 bar 0 - 5800 psi	0 - 600 bar 0 - 8700 psi	0 - 800 bar 0 - 11600 psi
Test pressure:	600 bar / 8700 psi		1000 bar / 14500 psi
Total capacity:	76 cm ³		30 cm ³
Displacement / turn:	appr. 2 cm ³		appr. 0.7 cm ³
Total screw stroke:	appr. 160 mm		appr. 160 mm
Operative stress:	at 50 bar appr. 1 Kgm		at 100 bar appr. 1 Kgm
Dimensions:	450 x 360 x 300 mm		650 x 360 x 330 mm
Weight:	14 kg		18 kg



DRUCK & TEMPERATUR Leitenberger GmbH

Bahnhofstr. 33 • D-72138 Kirchentellinsfurt • Germany

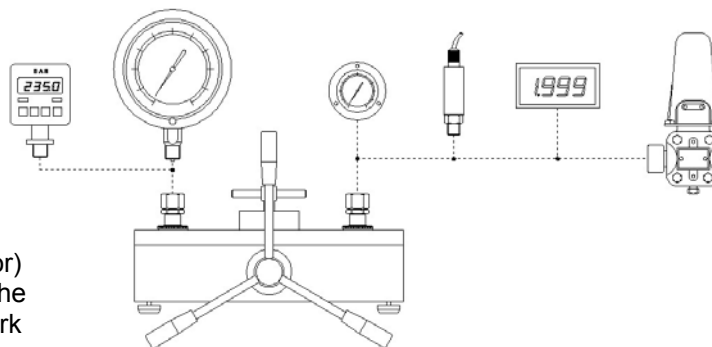
Tel.: +49 - 71 21 - 9 09 20 - 0 • Fax: +49 - 71 21 - 9 09 20 - 99

E-Mail: DT-Export@Leitenberger.de • <http://www.druck-temperatur.de>



Typical operation:

Comparison calibration of pressure gauges, transmitters, pressure switches, transducers with reference instrument (test gauge, precision indicator)
The sturdiness and compactness make the BT400/BT800 easy to use both in the workshop and in the field



Type BT400-DM with build-in digital precision reference gauge
Range 0-500 bar / 0 - 7250 psi, Accuracy $\pm 0.05\%$ FS. At this model **both** pressure ports are available for units under test.

Also on the image the Fine Volume Adjuster BT-FA is visible.
(standard at model BT400-DM, optional for other BT400 models)

Standard Accessories:

- Service box wrench Ch 27
- 3/8" BSP rotating connection
- Complete series of spare gaskets
- Case for carrying spare parts
- Operating manual



Optional Accessories:

- Analogue test pressure gauges 17.1, Accuracy $\pm 0.6\%$ f.s. to $\pm 0.1\%$ f.s.
- Electronic pressure calibrator LPC 300, Accuracy $\pm 0.025\%$ f.s.
- Digital Reference Pressure Gauges TLDMM, Accuracy $\pm 0.05\%$ f.s.
- Digital Test Pressure Gauges TLDMM-A02, Accuracy $\pm 0.2\%$ f.s.
- Thread adapters (on request)



Note:

The test pressure gauge shown on the pictures/images are not included in standard supply.



DRUCK & TEMPERATUR Leitenberger GmbH

Bahnhofstr. 33 • D-72138 Kirchentellinsfurt • Germany

Tel.: +49 - 71 21 - 9 09 20 - 0 • Fax: +49 - 71 21 - 9 09 20 - 99

E-Mail: DT-Export@Leitenberger.de • <http://www.druck-temperatur.de>

