

# Mini hot point™ Dry Block Probe Calibrator

CL1000 Series

Basic Unit



- ✓ Built-in Digital 1/32 DIN Temperature Controller
- ✓ Rugged Miniature Handheld, Benchtop and Portable Design
- ✓ Fast, Accurate, Stable Readings
- ✓ Fast Heat-Up/Cool-Down Time
- ✓ Standard and Metric Well Designs Available
- ✓ Automatic Fan Cooling
- ✓ Calibration Certificate With 2 Data Points Included
- ✓ Soft Carrying Case, Power Cable and Complete Operator's Manual Included
- ✓ Optional RS-232 Communications with Free CN9-SW Communications Software and Cable



Model CL1000A,  
shown close to actual size



OMEGA's new CL1000 Series mini hot point™ dry block probe calibrator offers a fast, accurate, stable solution for calibrating temperature probes in both the laboratory and in the field by providing a lightweight, rugged miniature design. There are 4 different probe well styles available (shown on next page). The CL1000 Series has been engineered into a custom fabricated metal enclosure together with a high performance 1/32 DIN controller, and has been designed to

meet a high level of quality, reliability and safety. The calibrator has a temperature calibration range of ambient +10 to 260°C (ambient +20 to 500°F) and can operate in an environment of 0 to 50°C (32 to 122°F) and a relative humidity of 0 to 90% non-condensing.

## Specifications

### Temperature Range:

Ambient +11 to 260°C  
(Ambient +20 to 500°F)

**Accuracy:** ±1.5°C (±2.75°F)

**Display Resolution:** 0.1°

**Stability:** ±0.15°C (±0.3°F)

**Probe Well Uniformity:**  
±0.15°C (±0.3°F)

**We make running changes when technical advances allow. Check at time of ordering for additional features.**

**Caution:** To avoid fire hazard or damage to your calibrator, always allow your calibrator to cool down to ambient temperature before returning to storage.

Custom Well Styles are Available.  
Contact Sales for Price and Delivery.



CL1000 mini hot point™ shown calibrating a thermocouple probe, Model KTSS-HH-IEC, (see Section A), with the HH64A handheld thermometer, (see omega.co.uk).

The new -C2 option allows for remote configuring, adjustment, and reading. Free software is included with these models.

- Heat-Up Time:** 38 to 260°C (100 to 500°F) in 15 minutes
- Cool-Down Time:** 260 to 38°C (500 to 100°F) in 70 minutes
- Ambient Environmental Conditions**
  - Temperature:** 0 to 50°C (32 to 122°F)
  - Humidity:** 0 to 80% RH non-condensing
- Internal Control Sensor:** Platinum RTD, 100 Ω, 0.00385, Class A
- Power Requirements:** 1.6 Amps @ 230 Vac ~ (±10%) 50/60 Hz, 275 W
- Dimensions:** 127 W x 56 H x 155 mm D (5 x 2.2 x 6.1")
- Weight:** 1.7 kg (3.8 lb)

*Note:* For additional controller specifications, and details on the free CN9-SW software included with RS-232 models, see the CN9500 Series controllers at omega.co.uk.

OMEGACARE™ extended warranty programme is available for models shown on this page. Ask your sales representative for full details when placing an order. OMEGACARE™ covers parts, labour and equivalent loan unit.

**ALL MODELS AVAILABLE FOR FAST DELIVERY!**

To Order (Specify Model Number)	
Model Number	Description
CL1000(*)-230V†	Mini hot point™ dry block probe calibrator, 230 Vac

**Communications Option** (Pre-wired, cable included)

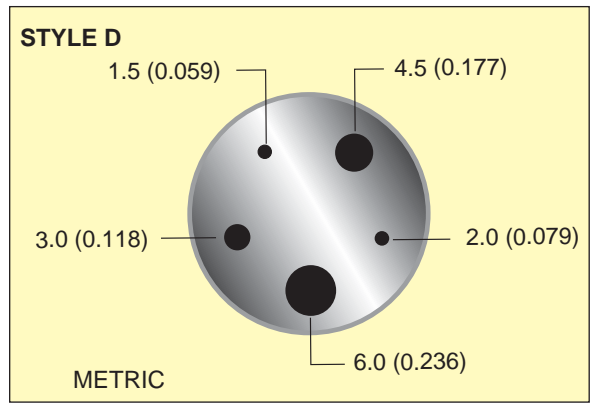
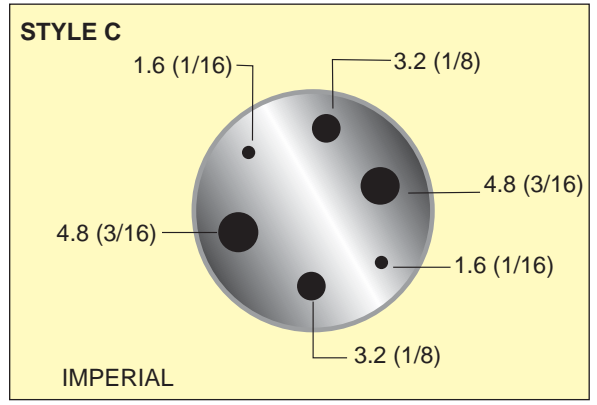
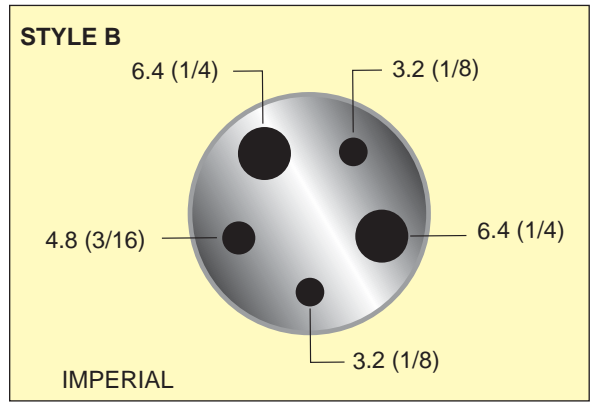
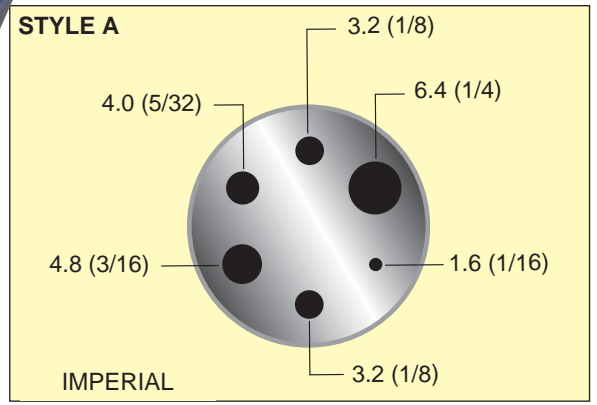
Suffix	Description
-C2	RS-232 communications and free CN9-SW software

Comes complete with power cable, soft carrying case, operator's manual, and traceable calibration certificate at 121 and 260°C temperatures, and complete operator's manual.

\*Insert well style code in place of asterisk.  
**Ordering Example:** CL1000C-C2-230V, Mini hot point™ dry block calibrator with well style C and RS-232 option.  
**OCW-2 OMEGACARE™** extends standard 3-year warranty to a total of 5 years.

**Available Well Styles†**

Dimensions shown in mm (in)



# omega.co.uk<sup>®</sup>

Your One-Stop Source for Process Measurement and Control!

Freephone 0800 488 488 | International +44(0) 161 777 6622 | Fax +44(0) 161 777 6622 | Sales@omega.co.uk

[www.omega.co.uk](http://www.omega.co.uk)



## UNITED STATES

[www.omega.com](http://www.omega.com)

1-800-TC-OMEGA

Stamford, CT.

## CANADA

[www.omega.ca](http://www.omega.ca)

Laval(Quebec)

1-800-TC-OMEGA

## GERMANY

[www.omega.de](http://www.omega.de)

Deckenpfronn, Germany

0800-8266342

## UNITED KINGDOM

[www.omega.co.uk](http://www.omega.co.uk)

Manchester, England

0800-488-488

## FRANCE

[www.omega.fr](http://www.omega.fr)

088-466-342

## CZECH REPUBLIC

[www.omegaeng.cz](http://www.omegaeng.cz)

Karviná, Czech Republic

596-311-899

## BENELUX

[www.omega.nl](http://www.omega.nl)

0800-099-33-44



## More than 100,000 Products Available!

### • Temperature

Calibrators, Connectors, General Test and Measurement Instruments, Handheld Instruments for Temperature Measurement, Ice Point References, Indicating Labels, Crayons, Cements and Lacquers, Infrared Temperature Measurement Instruments, Recorders, Relative Humidity Measurement Instruments, PT100 Probes, PT100 Elements, Temperature & Process Meters, Timers and Counters, Temperature and Process Controllers and Power Switching Devices, Thermistor Elements, Probes and Assemblies, Thermocouples, Thermowells and Head and Well Assemblies, Transmitters, Thermocouple Wire, RTD Probes

### • Flow and Level

Air Velocity Indicators, Doppler Flowmeters, Level Measurement, Magnetic Flowmeters, Mass Flowmeters, Pitot Tubes, Pumps, Rotameters, Turbine and Paddle Wheel Flowmeters, Ultrasonic Flowmeters, Valves, Variable Area Flowmeters, Vortex Shedding Flowmeters

### • pH and Conductivity

Conductivity Instrumentation, Dissolved Oxygen Instrumentation, Environmental Instrumentation, pH Electrodes and Instruments, Water and Soil Analysis Instrumentation

### • Data Acquisition

Auto-Dialers and Alarm Monitoring Systems, Communication Products and Converters, Data Acquisition and Analysis Software, Data Loggers Plug-in Cards, Signal Conditioners, USB, RS232, RS485 and Parallel Port Data Acquisition Systems, Wireless Transmitters and Receivers

### • Pressure, Strain and Force

Displacement Transducers, Dynamic Measurement Force Sensors, Instrumentation for Pressure and Strain Measurements, Load Cells, Pressure Gauges, Pressure Reference Section, Pressure Switches, Pressure Transducers, Proximity Transducers, Regulators, Pressure Transmitters, Strain Gauges, Torque Transducers, Valves

### • Heaters

Band Heaters, Cartridge Heaters, Circulation Heaters, Comfort Heaters, Controllers, Meters and Switching Devices, Flexible Heaters, General Test and Measurement Instruments, Heater Hook-up Wire, Heating Cable Systems, Immersion Heaters, Process Air and Duct, Heaters, Radiant Heaters, Strip Heaters, Tubular Heaters