

## Compression force transducers, COMPACT version

Nominal diameter ND20 mm

for compression force measurement  
and for tension or compression force  
measurement "ring form"



### Description

These hydraulic load cells measure and indicate forces directly for a reasonable price. The whole unit (load cell and measuring device) works on the hydraulic principle. Maximum piston stroke is 0.5 mm.

In accordance with the surface area of the piston, the force acting on it is transferred to the hydraulic fluid and from there via the connecting pipe to the measuring instrument.

The straightforward relationship between the pressure, force and piston surface area enables the scale of the measuring instrument to be graduated in a variety of units, e.g. kN, kg, t, m<sup>3</sup> or litres.

#### Model F1115

The piston of this force transmitter is designed to adapt itself to the face of the piston acting on it up to an angle of approx.  $\pm 3^\circ$ .

#### Modell F6116

This transducer is used if it is necessary to lead a shaft through the measuring body.

For precise conversion of force into pressure the force must act vertically and centred on the piston which must not be subject to lateral forces.

The load cells are unsuited, or suited only to a limited extent, to the measurement of impact or acceleration. Provided that the frequency is not too high, oscillating forces can also be measured with hydraulic load cells. In such case a measuring unit with a rather large working range is advisable in the interests of prolonging service life.

### Note

Hydraulic measuring devices are filled with hydraulic fluid in a vacuum environment. For this reason a guarantee of proper functioning is only given on fully assembled units. Sealing glands must not be loosened or removed.

### Features

- for compression forces
- Nominal temperature range -10 to 50°C
- Stainless steel casing and piston
- Accuracy 1.6% of end scale value when used with pressure measuring instruments class 1.6 and 23°C
- Maximum piston stroke 0.5 mm
- Lateral forces within an angle  $\pm 3^\circ$  can be regarded as negligible
- Measurement of axial load and bearing forces in turning and drilling machines as well as extruders
- Operation without power supply

### Measuring ranges

- 0.2 ... 120 kN

### Applications

- Plant engineering
- Production lines
- Measuring and test equipment
- Special mechanical engineering applications

Model: F1115, F6116

## Technical data

Model	F1115, F6116	Options
Nominal size	ND 20	
Accuracy	1.6% of end scale value when used with pressure measuring devices class 1.6 and reference temperature 23°C	
Limit load	100% $F_{nom}$	
Breaking load	> 130% $F_{nom}$	
Combined error	$\leq \pm 1.6\%$ of F.S.	
Nominal deflection	< 0.5 mm	
Nominal temperature range	-10 ... +50°C	
Protection type	IP 65	
Case	Stainless steel	
Piston	Stainless steel	
Connecting line	-direct connection	-flexible tube, s.s. 1.4571 with 7 mm diameter spiral steel jacket in s.s. 1.4301; maximum lengths = 2 m. -Capillary tube throttle
Pressure measuring device	-Nominal diameter 63 mm in die-cast brass Model P1515, -others on request	-Max.-indicating pointer -Model P1770, diameter 100 mm only not filled -Pressure sensors model P3349
Hydraulic fluid	silicone oil, FFI.-No. 2	
Mounting	Threaded borings in base of casing	
Dimensions	see dimensional drawing	

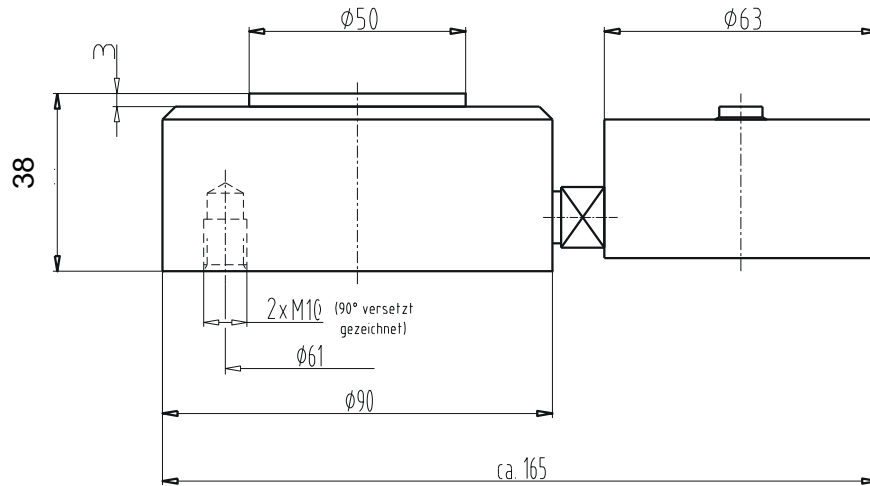
Measuring range		Pressure range on measuring device in bar	The load cell size indicates the surface area of the piston in cm <sup>2</sup>
BR F1115 ND 20 [kN]	BR F6116 ND 20 "ring form" [kN]	Model P1515 bzw. Model P3249	
0.2	0.2	0 ... 1.0	The measuring device can be supplied with a scale in kN, N, t, kp, kg, m <sup>3</sup> or litres
0.32	0.32	0 ... 1.6	
0.5	0.5	0 ... 2.5	
0.8	0.8	0 ... 4.0	
1.0	1.0	0 ... 5.0	
1.2	1.2	0 ... 6.0	
1.6	1.6	0 ... 8.0	
2.0	2.0	0 ... 10.0	
2.5	2.5	0 ... 14.0	
3.2	3.2	0 ... 16.0	
4.0	4.0	0 ... 20.0	
5.0	5.0	0 ... 25.0	
6.0	6.0	0 ... 30.0	
8.0	8.0	0 ... 40.0	
10.0	10.0	0 ... 50.0	
12.0	12.0	0 ... 60.0	
20.0	20.0	0 ... 100.0	
32.0	32.0	0 ... 160.0	
50.0	50.0	0 ... 250.0	
60.0	60.0	0 ... 315.0	
---	100.0	0 ... 500.0	
---	115.0	0 ... 600.0	

## Construction A

Hydraulic force measuring device, consisting of a force transmitter model F1115 ND 20 and pressure gauge model P1515 ND 63.

The piston of this force transmitter is designed to adapt itself to the face of the piston acting on it up to an angle of approx  $\pm 3^\circ$ .

### Dimensions:



## Construction B

Hydraulic force measuring device, consisting of a force transmitter model F6116 ND 20 „ring shaped“ and pressure gauge model P1515 ND 63.

If necessary a shaft can be led through the measuring body.

### Dimensions:

